



**Fire Safety**



**Noise Control**



**Thermal Efficiency**



# **FIRE SAFETY & NOISE CONTROL FOR FACADES**

Version 1.1 : June 2016

# INSULATION SPECIALISTS



SIDERISE has been providing acoustic, fire and thermal insulation solutions globally for over 40 years.

Since 1972 the SIDERISE Group has been committed to the use of innovative materials and the development of products and technologies for a more sustainable future internationally.

For over 25 years SIDERISE has been the UK's leading manufacturer of firestop and acoustic barrier systems for the curtain walling industry. Our unique methods of manufacture afford the products a robustness and simplicity of design which answers all of the functional performance requirements in combination with a full consideration of practical installation.

Over recent years we have been actively supporting an International Development programme with a view to establishing our position as the supplier of choice to the worlds' premier architects and curtain walling contractors.

Our Façades team work closely with architects, façade contractors and installers to develop effective, engineered solutions to fire, thermal and acoustic problems.



**SIDERISE**

**Providing solutions. Adding value. Globally**

We add value to our customers who make, build or protect.



# OUR PRODUCTS



Our product range suits the rigorous performance expectations of the specifier along with the stringent cost demands and practical installation needs of the contractor.

SIDERISE are the market leaders for developing specialist fire, thermal and acoustic solutions for the construction industry.

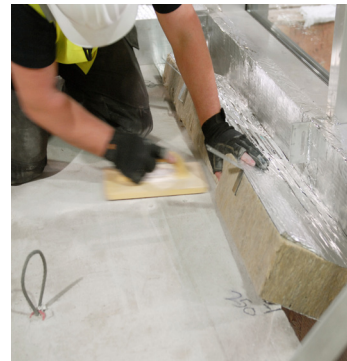
Our range includes high performance fire-stopping products for applications including floor & wall compartmentation.

Based on supplying UK and Irish Façade markets for over 25 years we have been able to develop our product range to suit the rigorous performance expectations of the specifier - as well as the stringent cost demands and practical installation needs of the contractor.

We aim to ensure architects, specifiers, main contractors and all of our valued customers continue to benefit from design solutions that are robust and synonymous with good practice.

*“Our ethos has always been - Practical to fit, engineered to function and cost-effective.”*

Tony James, CEO.



# FIRE SAFETY FOR FACADES



For over 25 years SIDERISE has been the UK's No.1 firestop solution for the curtain walling industry.

Good compartmentation measures within building design combined with professional installation can limit the spread of fire and importantly, noxious gases enabling evacuation of a building, saving lives and property as well as giving the fire services a safer environment in which to fight a fire.

The range of SIDERISE Perimeter Barrier systems provide an easy to install method of sealing the void formed between curtain walling and the structural frame.

They are suitable for use as both horizontal and vertical firestop systems.

Their inclusion effectively prevents the rapid spread of flames, gases, and smoke. Additionally they offer a qualified acoustic performance significantly enhancing room-to-room sound reduction.

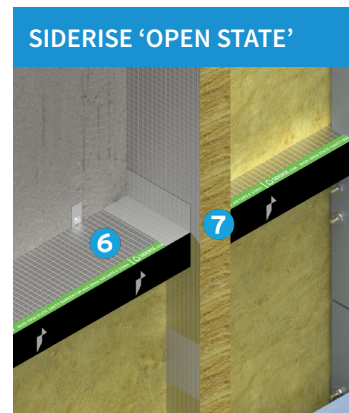
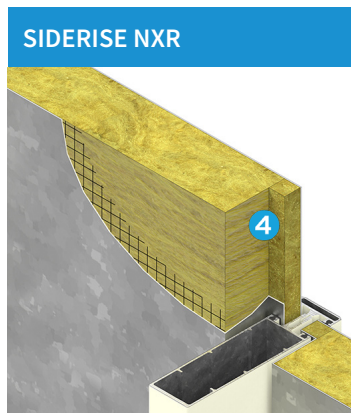
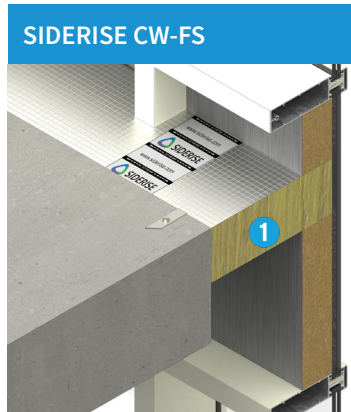
Due to the unique patented method of manufacture these resilient products are able to accommodate normal façade deflection and site tolerances.

## The SIDERISE product offer:

- Lowest total installed cost
- Simplest and quickest to install
- Market-leading fire performance
- Qualified acoustics performance
- Unique construction provides unrivalled movement performance
- Third-party approved



# PERIMETER BARRIER FIRESTOP & CAVITY BARRIER SYSTEMS



- 1 Fire, smoke & acoustic seals for use within curtain walling and façades - horizontal application, full width seal.
- 2 Fire, smoke & acoustic seals for use within curtain walling & façades - horizontal application, abutting spandrel panel.
- 3 Fire, smoke & acoustic seals for use within curtain walling and façades - vertical application.
- 4 Nexus lamella board core for use with bonded composite spandrel panels.
- 5 High strength fire safe thermal insulation core for bonding to glazed spandrels.
- 6 'Open State' horizontal cavity barriers for use within rainscreens.
- 7 Vertical cavity barriers for use within rainscreens.

# NOISE CONTROL FOR FACADES



**We provide proven sound reduction solutions that deal with all common sound path problems.**

Acoustics in the built environment is a concern to society and a challenge to designers. We are experiencing increasing noise levels, occupant complaints and dissatisfied clients.

SIDERISE are leading manufacturers of acoustic materials for construction and other industries.

Our range includes a choice of effective and proven sound reduction solutions that deal with all common sound path problems.

Additionally, we offer a vast range of sound absorption, isolation, anti-vibration and damping materials.

Our specialist design service, for standard and bespoke perimeter barrier slab-edge floor closures that combine fire resistance with the required sound insulation performance, is complemented by range of acoustic barrier and insert systems to improve the sound performance within the curtain wall environment.

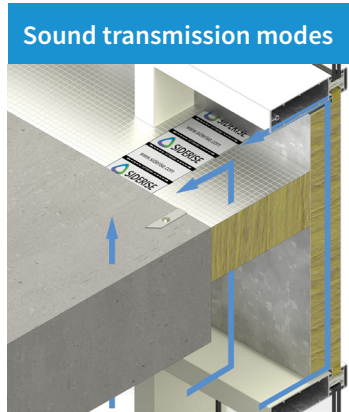
*“Our qualified in-house noise consultants can assist you to achieve the optimum acoustics performance.”*

Mike Carrick AMIOA, Technical Officer - Acoustics.

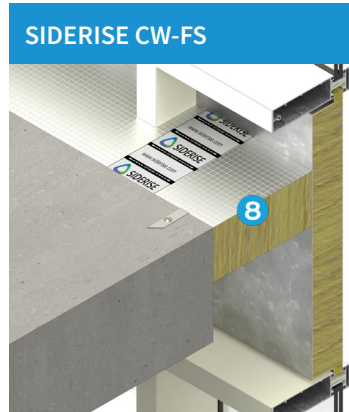


25 Canada Square, London, UK

# PERIMETER CLOSURES & ACOUSTIC BARRIERS

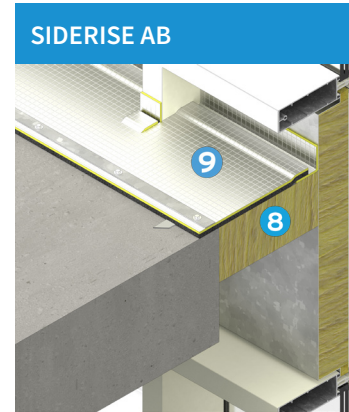


For main sound transmission modes at floor/façade abutment our Façades team can undertake acoustic performance assessments for the perimeter barrier zone and calculate the required SRI values for the firestop in order to meet the overall performance for a specific project. When required, additional acoustic treatments are available to ensure compliance.



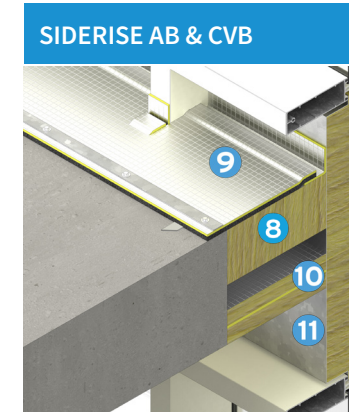
SIDERISE CW-FS perimeter barriers are market leading fire, smoke and acoustic seals for use within curtain walling. The range includes different options to suit required fire ratings and/or acoustics performance.

For guidance, tested performance for firestop only:  
 CW-FS60 = 23dB(RW)  
 CW-FS120 = 25dB(RW)



SIDERISE AB are acoustic barrier overlay materials for use above the perimeter barrier firestop. Different grades are available to suit acoustics performance required.

For guidance, tested performance for composite assembly:  
 CW-FS120 + AB5 = 33dB (Rw)  
 CW-FS120 + AB10 = 37dB (Rw)



SIDERISE CVB is a high mass closure normally incorporated beneath the perimeter barrier firestop and located to maximise the air gap and create a “twin mass” system.

For guidance, tested performance for composite assembly:  
 CW-FS120 + AB10 + 100mm airgap + CVB10 = 51dB (Rw)

- 8 SIDERISE CW-FS
- 9 SIDERISE AB
- 10 SIDERISE CVB
- 11 SIDERISE Spandrel insulation

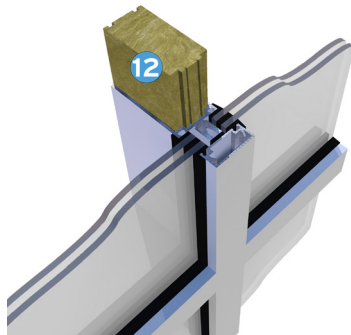
# PROJECT PROFILE

## Olympics 2012 - Athletes Village London, UK

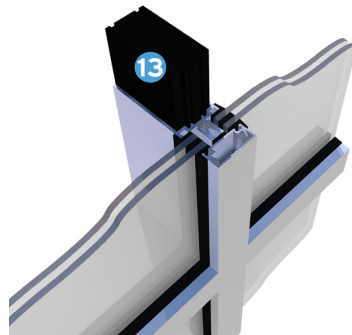
- SIDERISE Perimeter Barrier firestop used at slab edge.
- SIDERISE Acoustic Barrier used as acoustic overlay.
- SIDERISE Acoustics Team developed floor closure specifications for Noise Consultants Sandy Brown Associates, Hann Tucker Associates and Sharpes Redmore.



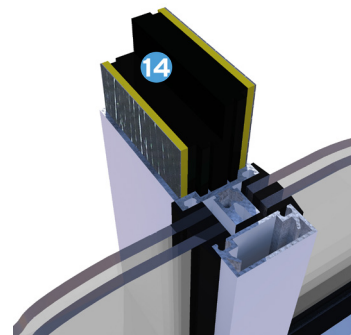
# ACOUSTIC INSULATION INSERTS FOR FACADES



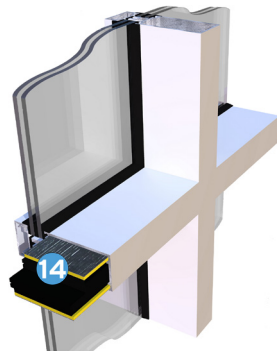
SIDERISE MI2 insert



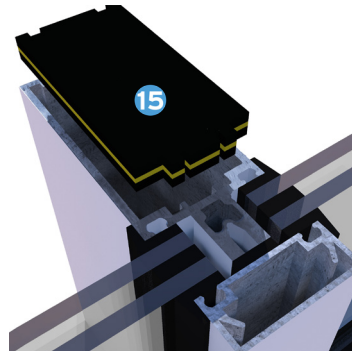
SIDERISE MI3 insert



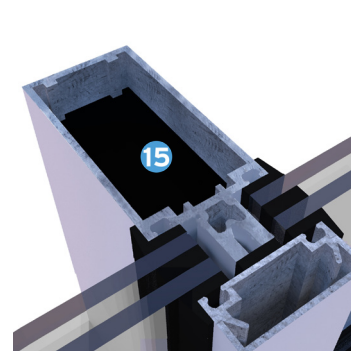
SIDERISE MI6 inserts



SIDERISE MI6 inserts



SIDERISE MI1 closure



SIDERISE MI1 closure

- 12 Through frame - sound transmission treatment using shaped absorptive mineral wool inserts.
- 13 Through frame - sound transmission treatment using shaped impregnated acoustic foam inserts.
- 14 Through frame - sound transmission treatment using shaped composite high mass layer and acoustic foam inserts.
- 15 Mullion closure - sound transmission treatment using dense resilient foam with central heavy membrane.

See separate data sheet for system choice guidance and acoustic performance.

SIDERISE MI Mullion Inserts comprise a range of specialist acoustic insulation materials designed to reduce vertical and horizontal sound transmission in curtain wall buildings, improving the performance of hollow-framed facades and glazed areas.

# VALUE PROPOSITION



**We work with architects, contractors and specialist installers to develop effective, engineered solutions to fire, thermal and acoustic problems.**

SIDERISE offers free technical advice to professionals and specialist fire contractors on the most appropriate method of fire stopping for a wide variety of construction applications.

Our specialist Façades team offer solutions for any fire or acoustic seal requirement within the external façade.

At the design stage we can complement standard details with consideration of wider performance demands including acoustics, thermal requirements and serviceability movement.

Upon receipt of project specific information we can provide practical design solutions without compromising cost or performance.

We support specifiers from initial enquiry and technical consultation to formal pre-qualification and project realisation.

Specifications are provided for standard products and applications and can be tailored to suit specific project performance requirements.



King Abdullah Financial District development, Riyadh, Saudi Arabia  
80% Perimeter Barrier Edge supplied by SIDERISE

# SIDERISE FACADES TEAM



Ricky Kay,  
National Façades Manager



M: +44 (0) 7764 456571  
E: ricky.kay@siderise.com

Barnaby Carrick,  
Sales Engineer



M: +44 (0) 7467 955120  
E: barnaby.carrick@siderise.com

Chris Mort,  
Technical Officer - Fire



M: +44 (0) 7778 691510  
E: chris.mort@siderise.com

Mike Carrick AMIOA,  
Technical Officer - Acoustics



M: +44 (0) 7917 327797  
E: mike.carrick@siderise.com

Chris Hall,  
Commerical Development



M: +44 (0) 7764 456569  
E: chris.hall@siderise.com

## Supply worldwide

SIDERISE products are readily available worldwide via Approved Distributors, contact our Façades team for further information.

[iraq@eurotechnology.ae](mailto:iraq@eurotechnology.ae)



[www.siderise.com](http://www.siderise.com)

